

---

**GROUP 5**

**SYNTHETIC-RESIN  
PARTS**

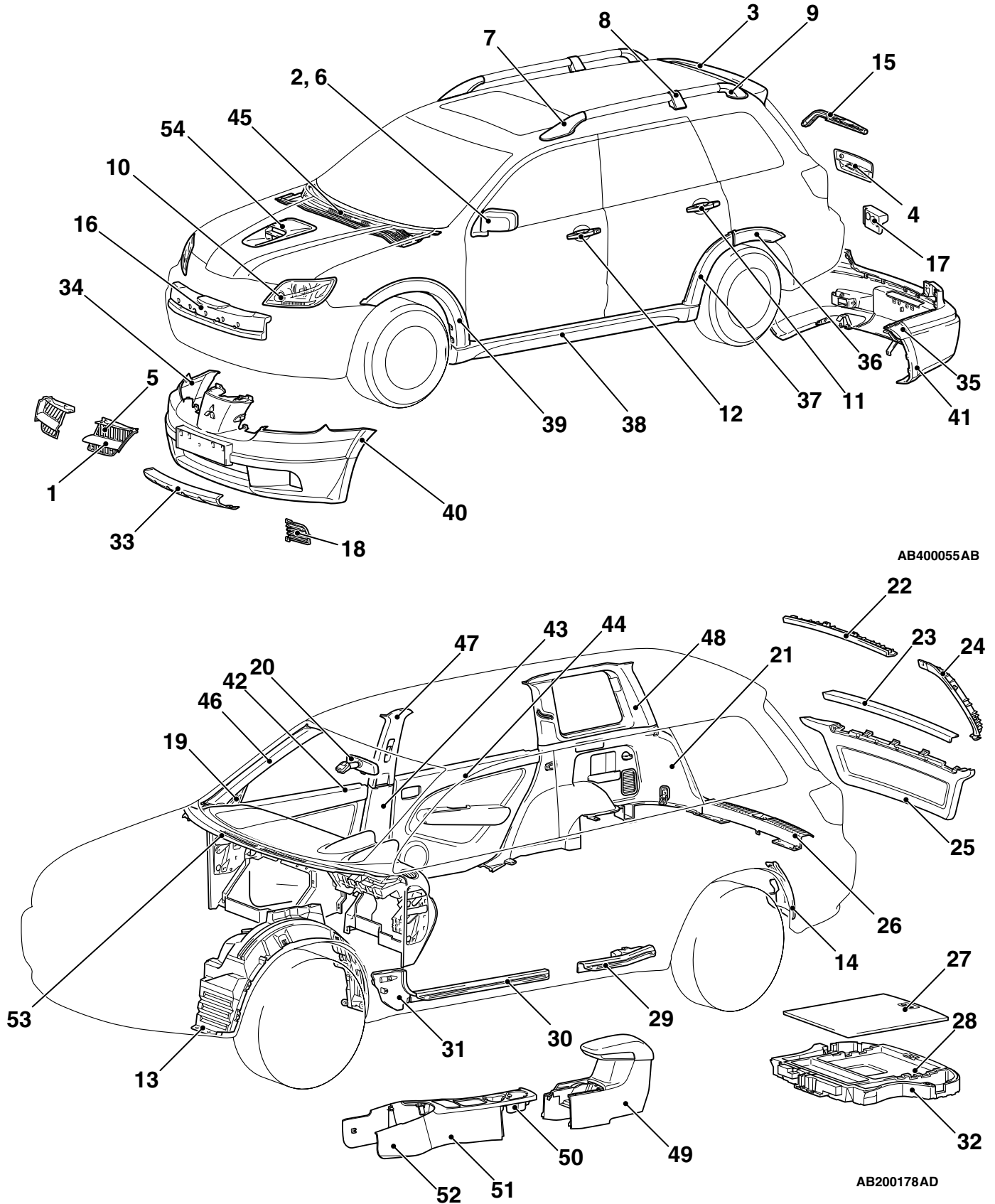
**CONTENTS**

<b>LOCATION OF SYNTHETIC-RESIN PARTS .....</b>	<b>5-2</b>
--	------------

# LOCATION OF SYNTHETIC-RESIN PARTS

M4050001000399

The location and material of each of the principal synthetic-resin parts are shown below.



<b>NO</b>	<b>PART NAME</b>	<b>NAME OF RESIN</b>	<b>ABBREVIATION</b>	<b>HEAT-WITHST AND TEMP [°C]</b>
1	Radiator grille outer	Acrylonitrile butadiene styrene	ABS	80
2	Door mirror (Colour)			
3	Roof spoiler			
4	Tailgate garnish			
5	Radiator grille inner	Acrylonitrile styrene acrylate	ASA (AAS)	80
6	Door mirror (Black)			
7	Roof rack cover front			
8	Roof rack cover centre			
9	Roof rack cover rear			
10	Headlamp	Polycarbonate	PC	120
11	Rear door outside handle	Polycarbonate+Polyethylene terephthalate	PC+PET	120
12	Front door outside handle			
13	Front splash shield	Polyethylene	PE	100
14	Rear splash shield			
15	Rear wiper arm	Polyethylene terephthalate	PET	115
16	Front bumper core	Polypropylene	PP	80
17	Rear bumper core			
18	Air intake bezel			
19	Delta cover inner			
20	Inside rear view mirror			
21	Quarter trim, lower			
22	Tailgate trim, upper			
23	Tailgate trim			
24	Tailgate side trim			
25	Tailgate trim, lower			
26	Rear-end trim			
27	Luggage floor centre lid			
28	Luggage floor box, centre			
29	Rear scuff plate			
30	Front scuff plate			
31	Cowl side trim			
32	Luggage floor box, side	Polypropylene foam	PP-E	80

NO	PART NAME	NAME OF RESIN	ABBREVIATION	HEAT-WITHST AND TEMP [°C]
33	Centre cover	Rubber denatured polypropylene	PP+E/P	80
34	Front bumper face			
35	Rear bumper extension			
36	Rear over fender			
37	Rear door over fender			
38	Side sill garnish			
39	Front over fender			
40	Front bumper extension			
41	Rear bumper face	Talc filled rubber modified polypropylene	PP+E/P-TD(HMP P)	80-100
42	Front door trim	Talc filled polypropylene (10%)	PP-TD10 (PPF)	100-120
43	Centre pillar trim, lower			
44	rear door trim			
45	Front deck garnish	Talc filled polypropylene (20%)	PP-TD20 (PPF)	120-130
46	Front pillar trim			
47	Centre pillar trim, upper			
48	Quarter trim, upper			
49	Floor console rear			
50	Floor console panel			
51	Floor console front			
52	Lower side cover			
53	Instrument panel			
54	Hood air inlet garnish (2000-Turbo)	Polypropylene ether+polyamide 6	PPE (PPO) +PA6	150-160

**NOTE:**

- If the material symbols designated by the ISO differ from the old symbols, both are given, with the old symboling enclosed in brackets.

ISO: International Standardization Organization.

- A slash (/) in the material symbol indicates that two different materials make two-layer construction. A plus sign (+) indicates that the two different materials mix each other.
- The indicated heat-withstand temperature for parts which are composed of two or more types of material is the value for the material with the lowest heat-withstand temperature.
- The material symbols for synthetic-resin parts are embossed on the parts in hidden places.